



***Dual Alarm Clock Radio  
with CD Player***



***OWNER'S MANUAL  
CKD9918***

Visit our web site at [www.emersonradio.com](http://www.emersonradio.com)

# WARNING

TO PREVENT FIRE OR SHOCK HAZARD, DO NOT USE THIS PLUG WITH AN EXTENSION CORD, RECEPTACLE OR OTHER OUTLET UNLESS THE BLADES CAN BE FULLY INSERTED TO PREVENT BLADE EXPOSURE. TO PREVENT FIRE OR SHOCK HAZARD, DO NOT EXPOSE THIS APPLIANCE TO RAIN OR MOISTURE.

Avertissement: pour réduire le risque d'incendie ou de choc électrique, ne pas exposer cet appareil sous la pluie et l'humidité.

 <p>The lightning flash with arrow-head symbol, within an equilateral triangle is intended to alert the user to the presence of uninsulated dangerous voltage within the products enclosure that may be of sufficient magnitude to constitute a risk of electric shock to persons.</p>	<p><b>CAUTION</b> <b>RISK OF ELECTRIC SHOCK</b> <b>DO NOT OPEN</b></p> <p><b>WARNING: TO REDUCE THE RISK OF ELECTRIC SHOCK DO NOT REMOVE COVER (OR BACK), NO USER SERVICEABLE PARTS INSIDE REFER SERVICING TO QUALIFIED SERVICE PERSONNEL.</b></p>	 <p>The exclamation point within an equilateral triangle is intended to alert the user to the presence of important operating and maintenance (servicing) instructions in the literature accompanying the appliance.</p>
---	--	---

The Caution Marking may be located at the bottom enclosure of the apparatus.

Les précautions d'emploi sont inscrites en bas de l'appareil.

## IMPORTANT SAFETY INSTRUCTIONS

- 1.) Read these instructions. Keep these instructions. Follow all instructions. Heed all warnings.
- 2.) Do not use this apparatus near water.
- 3.) Clean only with dry cloth.
- 4.) Do not block any ventilation openings. Install in accordance with the manufacturer's instructions.
- 5.) Do not install near any heat sources such as radiators, heat registers, stoves, or other apparatus (including amplifiers) that produce heat.
- 6.) Do not defeat the safety purpose of the polarized or grounding-type plug. A polarized plug has two blades with one wider than the other. A grounding type plug has two blades and a third grounding prong. The wide blade or the third prong is provided for your safety. If the provided plug does not fit into your outlet, consult an electrician for replacement of the obsolete outlet.
- 7.) Protect the power cord from being walked on or pinched particularly at plugs, convenience receptacles, and the point where they exit from the apparatus.
- 8.) Only use attachments / accessories specified by the manufacturer.
- 9.) Unplug this apparatus during lightning storms or when unused for long periods of time.
- 10.) Refer all servicing to qualified service personnel. Servicing is required when the apparatus has been damaged in any way, such as power-supply cord or plug is damaged, liquid has been spilled or objects have fallen into the apparatus, the apparatus has been exposed to rain or moisture, does not operate normally, or has been dropped.
- 11.) This appliance shall not be exposed to dripping or splashing water and no object filled with liquids such as vases shall be placed on the apparatus.

L'appareil ne doit pas être exposé aux écoulements ou éclaboussures et aucun objet ne contenant de liquide, tel qu'un vase, ne doit être placé sur l'objet.

- 12.) Use only with the cart, stand, tripod, bracket, or table specified by the manufacturer, or sold with the apparatus. When a cart is used, use caution when moving the cart/apparatus combination to avoid injury from tip-over.



- 13.) Do not overload wall outlet. Use only power source as indicated.
- 14.) Use replacement parts as specified by the manufacturer.
- 15.) The product may be mounted to a wall only if recommended by the manufacturer.
- 16.) Upon completion of any service or repairs to this product, ask the service technician to perform Safety
- 17.)  This is CLASS II apparatus with double insulation, and no protective earth provided.
- 18.) To be completely disconnect the power input, the mains plug of apparatus shall be disconnected from the mains. The mains plug of apparatus should not be obstructed OR should be easily accessed during intended use.  
Pour être complètement déconnecté de l'alimentation d'entrée, la prise doit être débranchée du secteur. La prise du secteur ne doit pas être obstruée ou doit être facilement accessible pendant son utilisation.
- 19.) Battery shall not be exposed to excessive heat such as sunshine, fire or the like.  
Les piles ne doivent pas être exposées à de forte chaleur, tel qu'à la lumière du soleil, au feu ou autres choses de semblable.
- 20.) The marking information is located at the bottom of apparatus.  
Les marquages sont inscrits en bas de l'appareil.
- 21.) Lithium battery replacement warning:  
CAUTION:  
Danger of explosion if battery is incorrectly replaced. Replace only with the same or equivalent type.  
Précaution:  
Danger d'explosion si les piles sont remplacées de façon incorrect. Remplacer les piles seulement par le même type de pile ou l'équivalent.

## Before We Begin

Thank you for purchasing this Emerson audio product. The Emerson brand is your assurance of quality, performance and value.

Our engineers have included many useful and convenient features in this product. Please be sure to read this Owner's Manual completely to make sure you are getting the maximum benefit from each feature.

This product was manufactured using the highest quality components and standards of workmanship. It was tested by Emerson inspectors and found to be in perfect working order before it left our factory. However, there is always the chance that some problem may occur because of rough handling during shipment to the retail store or to the final consumer.

If, after reading this Manual, you experience any problems with the operation of this product, please refer to the instructions for obtaining service at the end of this Manual. Emerson and Emerson retailers are committed to your satisfaction.

# IMPORTANT NOTES

## CLASS 1 LASER PRODUCT

CLASS 1 LASER PRODUCT  
APPAREIL LASER DE CLASSE 1  
PRODUCTO LASER DE CLASE 1

CAUTION  
INVISIBLE LASER RADIATION  
WHEN OPEN AND INTERLOCKS  
DEFEATED.  
AVOID EXPOSURE TO BEAM



### **This product contains a low power Laser Device.**

- Avoid installing this unit in places exposed to direct sunlight or close to heat radiating appliances such as electric heaters, on top of other stereo equipment that radiates too much heat, places lacking ventilation or dusty areas, places subject to constant vibration and/or humid or moist areas.
- Operate controls and switches as described in the manual.
- Before turning on the power, make certain that the power cord is properly installed.
- When moving the set, be sure to first disconnect the power cord and remove cords connected to other equipment.

### **FCC Information**

This equipment has been tested and found to comply with the limits for a class B digital Device, pursuant to part 15 of the FCC Rules. These limits are designed to provide reasonable protection against harmful interference in a residential installation. This equipment generates, uses, and can radiate radio frequency energy and, if not installed and used in accordance with the instructions, may cause harmful interference to radio communications. However, there is no guarantee that interference will not occur in a particular installation. If this equipment does cause harmful interference to radio or television reception, which can be determined by turning the equipment off and on, the user is encouraged to try to correct the interference by one or more of the following measures:

- Reorient or relocate the receiving antenna.
- Increase the separation between the equipment and receiver.
- Connect the equipment into an outlet on a circuit different from that to which the receiver is connected.
- Consult the dealer or an experienced radio/TV technician for help.

This device complies with part 15 of the FCC Rules. Operation is subject to the following two conditions:

- (1) This device may not cause harmful interference, and
- (2) This device must accept any interference received, including interference that may cause undesired operation.

Changes or modifications not expressly approved by the party responsible for compliance could void the user's authority to operate the equipment.

This Class B digital apparatus complies with Canadian ICES-003.

Cet appareil numérique de la classe B est conforme à la norme NMB-003 du Canada.

# PREPARATION FOR USE

## Unpacking And Set Up

- Remove the unit from the carton, and remove all packing materials from the unit.
- Save the carton and packing materials in case the unit ever needs to be returned for service. Using the original carton and packing materials is the only way to safely repack the unit for shipment.
- Remove any descriptive labels or stickers from the top or front of the unit. Do not remove any labels from the back or bottom of the cabinet.
- Remove any small strips of tape that may have been used to prevent the CD from opening in transit.
- Press the CD door in the area marked OPEN/CLOSE button to open the CD door and remove the 'dummy CD' protection card from the CD player and discard it. Close the CD door.
- Unwind the AC power cord and extend it to its full length.
- Place the unit on a stable, level surface such as a table, desk, shelf, etc., within easy reach of an AC outlet, out of direct sunlight, and away from sources of excessive heat, dust, moisture or humidity.

## Protect Your Furniture

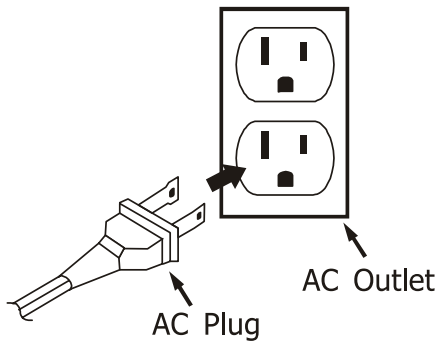
This model is equipped with non-skid rubber 'feet' to prevent the product from moving when you operate the controls. These 'feet' are made from non-migrating rubber material specially formulated to avoid leaving any marks or stains on your furniture. However certain types of oil based furniture polishes, wood preservatives, or cleaning sprays may cause the rubber 'feet' to soften, and leave marks or a rubber residue on the furniture. To prevent any damage to your furniture we strongly recommend that you purchase small self-adhesive felt pads, available at hardware stores and home improvement centers everywhere, and apply these pads to the bottom of the rubber 'feet' before you place the product on fine wooden furniture.

## Power Source

This system is designed to operate on 120V AC 60Hz house current only. Connecting this system to any other power source may cause damage to the system and such damage is not covered by your warranty.

**NOTE:** The system has polarized AC plug with one wide blade and one narrow blade. The plug will only fit into matching polarized AC outlets.

This is a safety feature to reduce the possibility of electric shock. If the plug will not fit in your AC outlet, you probably have an outdated non-polarized outlet. You should have your outdated outlet changed by a qualified, licensed electrician. Do not file the wide blade on the plug, or use an adapter to make the plug fit into your outlet. This defeats the safety feature and could expose you to electric shock.

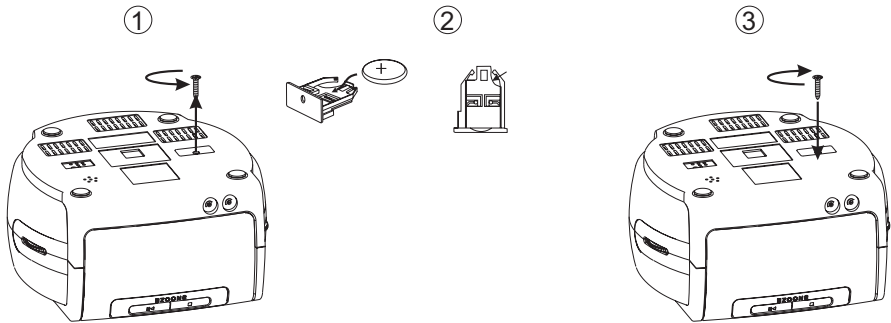


## Battery Back Up System

This unit uses a single CR2032 battery (not included) to maintain the Time, Alarm time and Radio preset stations settings in the event that it is accidentally unplugged, or you experience a temporary power failure. We recommend that you install a well-known brand of Lithium battery for longest life and best performance.

Installing and replacing the backup battery

- 1.) Use screw driver to remove the screw that secures the battery compartment at the bottom of the unit, and move out the battery cartridge from the battery compartment
- 2.) Insert a new battery in the battery cartridge with " + " side facing up.
- 3.) Insert the battery cartridge back into the unit and secure it with the screw.



If the power is interrupted the clock display will go off but the battery will maintain the Time, Alarm time and Radio preset stations settings. When power is restored the time display will be correct and the alarm time and preset radio stations will also be maintained.

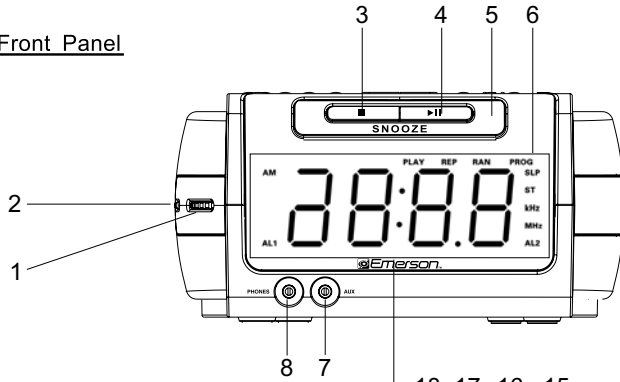
If you notice that the time is wrong you probably experienced a power failure. This could have been caused by a weak battery. Reset the clock and replace the battery as soon as possible.

**NOTE:** The battery back up system will not work unless you have installed the battery (CR2032, not included). Please see above for installation.

After you replaced the new battery, it will be necessary to re-enter the stations in radio preset memories and reset the clock setting.

# LOCATION OF CONTROLS AND INDICATORS

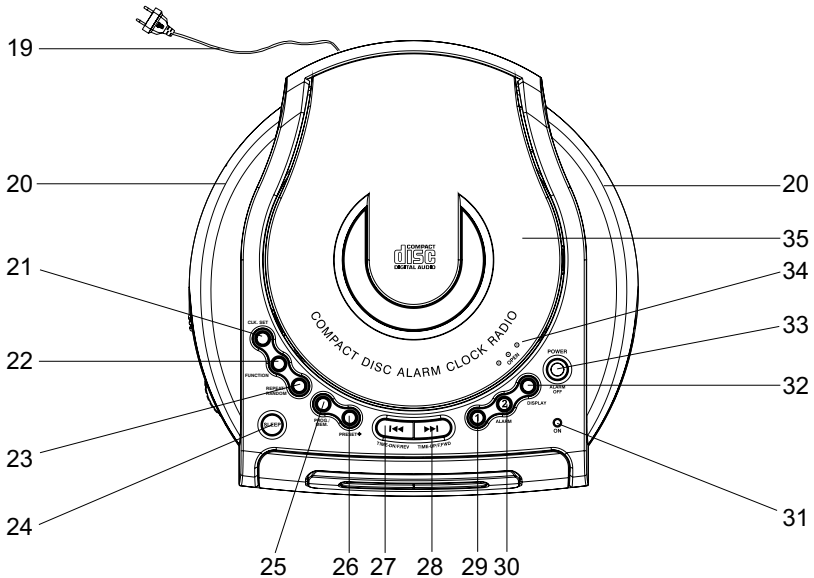
## Front Panel



## Display Panel



## Top Panel





# LOCATION OF CONTROLS AND INDICATORS

- 1.) **VOLUME** Control
- 2.) **DIMMER (HIGH / LOW)** Selector Switch
- 3.) ■ **STOP** Button
- 4.) ►► **PLAY / PAUSE** Button
- 5.) **SNOOZE** Button
- 6.) LED Display
- 7.) **AUX IN** Jack
- 8.) **PHONES** Jack
- 9.) **AM TIME** Indicator
- 10.) **AL1 (Alarm 1)** Indicator
- 11.) **Time / Frequency Display**
- 12.) **AL2 (Alarm 2)** Indicator
- 13.) **ST (FM Stereo)** Indicator
- 14.) **SLP (Sleep) Timer** Indicator
- 15.) **PROG (Program)** Indicator
- 16.) **RAN (Random)** Indicator
- 17.) **REP (Repeat)** Indicator
- 18.) **PLAY** Indicator
- 19.) AC Power Cord
- 20.) Speaker
- 21.) **CLK (Clock) SET** Button
- 22.) **FUNCTION** Button (FM/AM/CD/AUX)
- 23.) **REPEAT/RANDOM** Button
- 24.) **SLEEP** Button
- 25.) **PROGRAM/MEMORY** Button
- 26.) **PRESET +** Button
- 27.) ◀◀ **TIME-DN /F.REV** Button
- 28.) ►► **TIME-UP /F.FWD** Button
- 29.) **ALARM 1 Setting** Button
- 30.) **ALARM 2 Setting** Button
- 31.) **POWER "ON"** LED Indicator
- 32.) **DISPLAY** Button
- 33.) **POWER/ALARM OFF** Button
- 34.) CD Door **OPEN/CLOSE**
- 35.) CD Compartment

## Setting the Time

Press the **POWER/ALARM OFF** button to turn off the unit, press once the **CLK SET** button and then press either the **▶▶** or **◀◀** buttons to adjust the hour time forward or backward as desired. Press again the **CLK SET** button and then either the **▶▶** or **◀◀** buttons to adjust the minute time forward or backward as desired.



## Dimmer Control

If you find the display to be too bright for sleeping, slide the **DIMMER** selector switch to the **LOW** position. The display **DIMMER** selector switch is located on the left of the side cabinet.

## Listening To the Radio

- 1.) Press the **POWER/ALARM OFF** button on the top panel to turn the unit 'On'. The **POWER LED** indicator will light.
- 2.) Press the **FUNCTION** button repeatedly, it will change on the function to FM radio, AM radio, CD and Aux. To select FM Radio, press the **FUNCTION** button repeatedly until the display shows "r-F" (FM Radio), and then MHz will appear on the display. To select AM radio, press the **FUNCTION** button repeatedly until the display shows "r-A" (AM radio), and then KHz will now appear on the display.
- 3.) Press and hold the **▶▶** or **◀◀** buttons on the top panel to start stations searches. When a station is received it will stop searching. Repeat the procedure until your desired stations are selected.  
If you tune to an **FM** stereo station, the **ST (STEREO)** indicator will light.
- 4.) Rotate the **VOLUME** control on the left side panel to adjust the volume level.
- 5.) When you are finished listening press the **POWER/ALARM OFF** button to turn the unit 'Off'. The **POWER LED** indicator turns off.

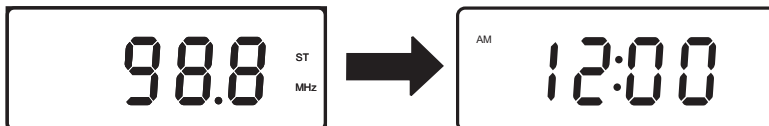


FM BAND



AM BAND

In Radio listening mode, the radio frequency display will appear for approx. 3 seconds, then the clock time will appear on the display. Press the **DISPLAY** button to show the radio frequency, a few seconds later the display will show the clock time.



## To Store the Preset Stations

This radio system can program up to maximum 20 preset stations for each FM radio and AM radio.

1. To store the stations to the preset station memory, press the **POWER/ALARM OFF** button to turn On the unit.
2. Press **FUNCTION** button repeatedly until FM radio or AM radio is selected.
3. Press **F.FWD** or **F.REV** button to search your desired radio station.
4. Press **PROG/MEM** button once, the PROG indicator and Preset station number "01" will appear and blink on the display.  
Press **F.FWD** or **F.REV** button to select a desired location number (1—20) to store the station. Press **PROG/MEM** button again to confirm and store the station into memory. Then the next preset station number appear on the display.
5. Follow the procedure 2 to 4 to program the next station into the memory.



## Listening to the Preset Stations

1. Press **POWER/ALARM OFF** button to turn On the unit.
2. Press **FUNCTION** button to select FM or AM radio.
3. Press **PRESET+** button to select preset station. Each time pressing the **PRESET+** button, it will cyclically count up to display the preset station from the memory.  
Or you can press **PRESET+** button once, and then press **F.FWD** or **F.REV** button to select the preset stations location directly.

# Antenna Information

## AM

The AM ferrite bar antenna is inside the cabinet. If AM reception is unsatisfactory, try turning the entire unit slightly until you find the direction that provides the best reception for the desired station.



## FM

The FM antenna is built in to the AC power cord. If the FM reception is weak, try varying the position and direction of the power cord until you find the strongest signal.

# Playing Compact Discs

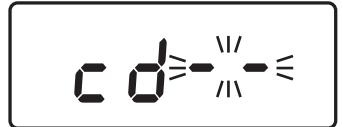
**NOTE:** This CD player can read CD-R/RW discs, in addition to normal CDs, however; the compatibility of CD-R/RW discs may be affected by the type of software that was used to create the discs, as well as the quality and condition of the blank media you are using. 100% compatibility cannot be guaranteed. This is not an indication of a problem with the player.

## Normal Playback

- 1.) Press the **POWER/ALARM OFF** button to switch the unit 'On'. The **POWER** indicator will light.
- 2.) Press **FUNCTION** button repeatedly until the "cd" appears in the display.
- 3.) Press on the CD door in the area marked OPEN to open the door. The display will show "OP" (open) for 5 seconds, then change to show clock. If you have not already done so, remove the 'dummy CD' transit protection card from the CD player and discard it.



- 4.) Place your disc on the center spindle with the printed label side facing up. Press down near the center of the disc to make sure it is firmly 'seated' on the spindle, press on the CD door in the area marked OPEN to close the CD door.



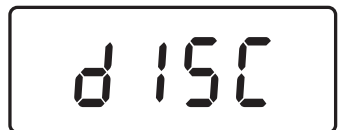
- 5.) The "—" of "cd: —" flashes while the player reads the disc. The display will show the total number of tracks for a few seconds and then return to the correct time.



- 6.) Press the **▶||** button to begin playback. The display will briefly show "cd: 01" (Track 1) and playback on track 1 begins. After a few seconds the display returns to the correct time.



To see the track number at any time during playback press the **DISPLAY** button. The track number will appear for several seconds and then the display returns to the correct time.



**NOTE:** If the disc is inserted incorrectly, or if the disc is badly scratched and cannot be read by the player, "d 15C" will appear on the display for a few seconds, and then the display returns to the correct time.

7.) To **Pause** briefly during playback press the **▶||** button. The “ **PLAY** ” indicator flashes and after a few seconds the display returns to correct time. The sound stops, but the disc continues to spin. Press **▶||** button again to cancel pause and resume playback.



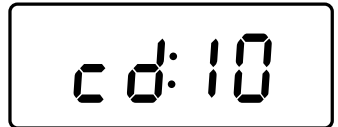
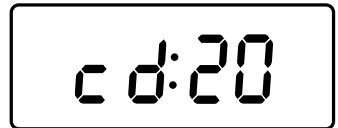
8.) To skip forward or backward to other tracks repeatedly press the **▶▶** or **◀◀** buttons until the desired track number appears in the display. Playback will begin on the selected track.

9.) To stop playback at any time press the **■** button. After the last track has played the disc stops automatically. Press the **OPEN** area of CD door to open the CD door and remove your disc.

## To Start Playback From A Specific Track

Load your disc and wait until the display shows the total number of tracks.

Press the **▶▶** or **◀◀** buttons to select the desired track. While the track number is still appearing press the **▶||** button. Playback will begin on the selected track and continue until the end of the disc.



## High Speed Music Search

You can search rapidly forward or backward within a track to locate a specific music passage.

Press and hold the **▶▶** or **◀◀** buttons to begin high speed search. The display will show the current track and the player moves rapidly forward or backward. When you reach the desired passage release the **▶▶** or **◀◀** button and normal playback resumes.

**NOTE: The volume level is automatically reduced during high speed music search.**

## Repeat Playback

You can program the player to repeat a single track or the entire disk continuously.

### One Track Repeat

1. During CD disc playback, press the **▶▶** or **◀◀** buttons to select the track to be repeated.
2. Press the **REPEAT/RANDOM** button until the **REP (repeat)** indicator blinks. The unit will begin playing the desired track repeatedly.
3. To cancel the setting, press the **REPEAT/RANDOM** button until REP indicator is off.



### All Tracks Repeat

1. During CD disc playback, press the **REPEAT/RANDOM** button until the **REP (repeat)** indicator light is on. The unit will repeat all tracks.
2. To cancel the setting, press the **REPEAT/RANDOM** button repeatedly until REP(repeat) indicator is off.



### Random Playback

To listen to the tracks on a disc in random order

1. During CD disc playback, press the **REPEAT/RANDOM** button repeatedly until the **RAN (random)** indicator is light on. The unit will begin playing all tracks randomly.
2. To cancel the setting, press the **REPEAT/RANDOM** button repeatedly until the **RAN (random)** indicator is off.

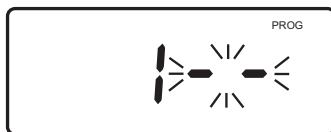


## Programmed Playback

The CD player in this unit has a 20 track programmable memory which allows you to program any disc to play just the tracks you want to hear in the exact order that you want to hear them. You may program a track or tracks to play more than once if desired.

**NOTE: Programming can only be done while the player is in the Stop mode. If a disc is playing press the ■ button to stop playback before performing the programming steps below.**

- 1) Turn the unit 'On', to select the CD function by press **FUNCTION** button repeatedly until the "cd" indicator appear on the display and load the desired disc in the player. Wait until the player reads the disc and the display shows the total number of tracks.
- 2) Press the **PROG./MEM** button. The **PROG.** indicator will appear and the Number "1" will show on the display, indicating that you can select the first track to be programmed.
- 3) Press the **▶▶** or **◀◀** buttons to select the first track. The desired track number appears and the track number will blink on the display.
- 4) Press the **PROG./MEM** button again. The selected track is entered in the Program memory, as first programmed track. Then display advances to "2" indicating that you can select the next track to be programmed.
- 5) Repeat Steps 3 and 4 to program up to 20 tracks in the memory.
- 6) After you have programmed all of the desired tracks press the **▶▶** button to begin programmed playback. The **PROG** indicator remains lit. Playback will begin on the first track you programmed and continue until all programmed tracks have been played.



As each programmed track starts playing the display will briefly show the track number being played and then return to the correct time.



### NOTES:

• After all programmed tracks have played the player stops but the program remains in the memory.

Press the **PROG./MEM** button and then the **CD PLAY/PAUSE** button to begin programmed playback again.

• To clear the programmed tracks from the memory, press the **STOP** button again or open the **CD door**, or switching to the **Radio** function also clears the program. Pressing the **POWER/ALARM OFF** button will shut the unit 'Off',



# Alarm Operation

## Setting the ALARM Time (Wake Up time)

This clock radio has two separate wake-up alarms that can be set and used independently.

To set or adjust the wake-up times please proceed as follows:

**Alarm Time Setting** : Press the **POWER** button to off the unit, press and hold the **ALARM 1** or **ALARM 2** buttons the Hour time will blink, then press the **▶▶** or **◀◀** buttons to adjust the hour alarm time forward and backward as desired. Press the **ALARM 1** or **ALARM 2** buttons again the Minutes time will blink, and then press the **▶▶** or **◀◀** buttons to adjust the minute time forward and backward as desired, then press **Alarm1** or **Alarm 2** button again to confirm the alarm time. After the alarm time was set, you have to set the wake up mode (Buzzer alarm or FM radio or AM radio or CD). To select the wake up mode, press **ALARM 1** or **ALARM 2** repeatedly, the display will appear "bb" (Buzzer alarm), "r-F" (FM radio), "r-A" (AM radio), "cd" (CD alarm), "OFF" (Alarm off) cyclically. Select your desired wake up mode. After the wake up mode is selected, please wait for 3 seconds and the alarm setting is confirmed.

**Check the Alarm Time**: During CD or radio, press the **ALARM 1** or **ALARM 2** buttons once to display the alarm time then the wake up alarm source will automatically show next.

**NOTE: If Alarm 1 and Alarm 2 are set in same alarm time, only Alarm 1 will sound.**

## Activate or Deactivate the Wake-up Mode

After you have adjusted the wake-up times on one or both alarms, you must activate the alarms and select the wake-up mode. You have the option of waking to the buzzer, radio or CD.

**Setting the Wake Up Mode**: Press the **POWER** button to off mode, press the **ALARM 1** or **ALARM 2** buttons repeatedly to select the wake-up mode. Once the wake up mode is activated the AL1 or AL2 indicator will light on the display.

**Wake to AM radio**: Press the **POWER** button to turn on the unit, Press **Function** button to select AM radio and then press **▶▶** or **◀◀** button to select your desired radio station. Then press the **POWER** button to turn Off the unit. Press the **ALARM 1** or **ALARM 2** button repeatedly until the display shows "r-A" (wake to AM radio) and AL1 or AL2 indicator turns On. Please wait for 3 seconds, then it will automatically quit out to confirm the wake up mode setting.

**Wake to FM radio**: Press the **POWER** button to turn on the unit, Press **Function** button to select FM radio and then press **▶▶** or **◀◀** button to select your desired radio station. Then press the **POWER** button to turn Off the unit. Press the **ALARM 1** or **ALARM 2** button repeatedly until the display shows "r-F" (wake to FM radio) and AL1 or AL2 indicator turns On. Please wait for 3 seconds, then it will automatically quit out to confirm the wake up mode setting.



**Wake to CD** : Place a CD in the CD compartment and make sure the volume is set as desired. Press the **POWER** button to off mode, press the **ALARM 1** or **ALARM 2** buttons repeatedly until the display shows “cd” and AL1 or AL2 indicator turn on. Please wait for 3 seconds, then it will automatically quit out to confirm the wake up mode setting.

Note: If there is no CD inserted, or the CD is damaged, it will automatically wake to Buzzer.

**Wake to Buzzer** : Press the **POWER** button to off mode, press the **ALARM 1** or **ALARM 2** buttons until the display shows “bb” and AL1 or AL2 indicator turn on. Please wait for 3 seconds, then it will automatically quit out to confirm the wake up mode setting.

**Set Alarm Off** : To set the alarm Off mode, Press **Power** button to Off the unit, then Press **ALARM 1** or **ALARM 2** button repeatedly until **OFF** appears in the display, wait for 3 seconds, it will automatically quit out to confirm the setting.

## Turn Off Alarm

During the alarming period, press **POWER** or **ALARM 1/2** button to shut off the alarm, and the unit will turn on the alarm again at the same time on the follow day.

## Snooze/Repeat Alarm

After the alarm turns on, you can press the **SNOOZE** button for a few extra minutes sleep (AL1 or AL2 indicator will flash). The alarm will stop for approximately 9 minutes and then repeat.

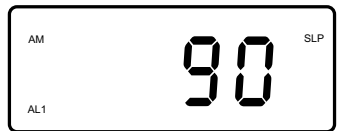


Snooze operation can be repeated several times if desired, but after one hour the alarm will not turn 'On' again.

## Sleep To Music Timer

You can use the sleep timer to play the Radio or CD player up to 90 minutes and have the unit shut off automatically.

- 1.) Press the **POWER/ALARM OFF** button to turn the power 'On' . Operate the Radio, AUX or CD player as usual. Adjust the **VOLUME** to the desired level.
- 2.) Press the **SLEEP** button to start sleep timer (default 90 minutes). To select your desired sleep timer, repeatedly press the **SLEEP** button, the sleep timer will count down per 10 minutes by each time pressing from 90 to 10 minutes cyclically. The SLP (Sleep) indicator will show on the display.
- 3.) When the display shows the desired timer, then release the **SLEEP** button. The Radio or CD play will continue until the sleep timer counts down to "00" and then shuts the unit off automatically.
- 4.) To stop the Radio or CD player before the sleep timer counts down to "00", press the **POWER / ALARMOFF** button to turn the unit "Off".

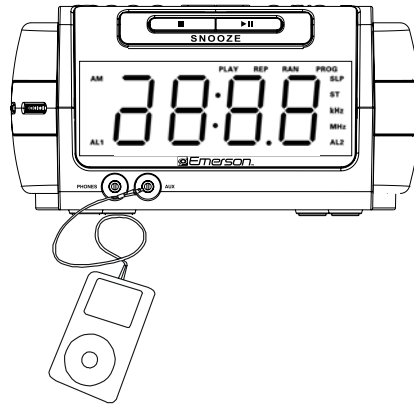


**NOTE: If the sleep timer is set to CD player, the sound stops when the disc ends, even if a longer sleep time was selected.**

## Auxiliary Input Jack (Connection Cable Not Included)

This unit includes an **AUX** input jack to allow you to connect external devices, such as an iPod® or portable MP3 player, and listen to the music stored on your external device through the speakers of this unit.

Press **FUNCTION** button repeatedly until "**AU**" appears in the display, then connect the headphone jack of your external device with a connection cable to the **AUX** input jack located on the front panel of this unit. The connection cable is not included.



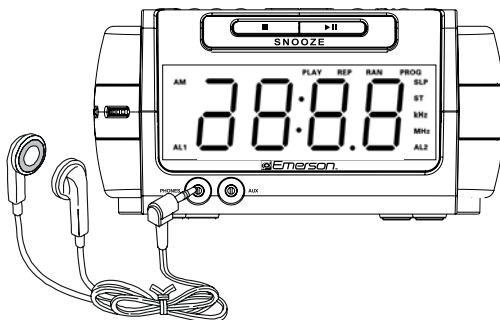
### **IMPORTANT:**

**Wake up alarm is not available for AUX in function.**

**After connecting your external device to the AUX input jack, slowly adjust both the volume controls on this unit and your external device to find the desired setting. Please note that if the VOLUME control on your external device is set too high, the sound will be distorted.**

## Headphone (PHONES) Jack

This unit includes a 3.5mm **PHONES** (headphone) jack on the front panel. This allows you to connect a set of stereo headphones (not included) for private listening without disturbing others. When headphones are connected, the built-in speakers are automatically disconnected.



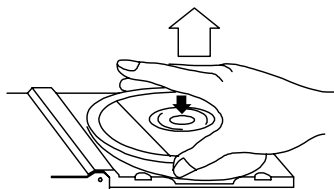
***IMPORTANT! When using stereo headphones always set the volume control to a low level before you put on the headphones. Then put on the headphones and gradually adjust the volume control to the desired level.***

***Remember that prolonged listening with headphones or ear buds at high volume levels may eventually cause hearing loss***

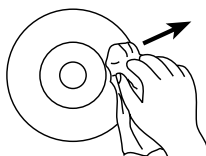
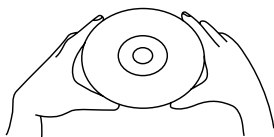
# CARE AND MAINTENANCE

## Compact Disc Care

- To remove a disc from its storage case, press down on the center of the case and lift the disc out, holding it carefully by the edges.



- Fingerprints and dust should be carefully wiped off the disc's recorded surface with a soft cloth. Unlike conventional records, compact discs have no grooves to collect dust and microscopic debris, so gently wiping with a soft cloth should remove most particles. Wipe in a straight line from the inside to the outside of the disc. Small dust particles and light stains will have absolutely no effect on reproduction quality.



- Clean the disc periodically with a soft, lint-free, dry cloth. Never use detergents or abrasive cleaners to clean the disc. If necessary, use a CD cleaning kit.
- Never write on or affix labels to the surface of compact discs.

## Care Of The Cabinet

- If the cabinet becomes dusty wipe it with a soft dry dust cloth. Do not use any wax or polish sprays on the cabinet.
- If the front panel becomes dirty or smudged with fingerprints it may be cleaned with a soft cloth slightly dampened with a mild soap and water solution. Never use abrasive cloths or polishes as these will mar the finish of your unit.

## Caution

Never allow any water or other liquids to get inside the unit while cleaning.

## TROUBLE SHOOTING GUIDE

Symptom	Possible Cause	Solution
<b>Radio</b>		
Noise or sound distorted on AM or FM broadcasts.	Station not tuned properly for AM or FM.	Retune the AM or FM broadcast station.
	<b>AM:</b> The bar antenna is not positioned correctly.	Reposition the unit until best reception is obtained.
AM or FM, no sound.	Volume at minimum.	Increase Volume.
<b>Compact Disc Player</b>		
CD Player will not play.	CD is not installed or installed incorrectly.	Insert CD with label side up.
CD skips while playing.	Disc is dirty or scratched.	Wipe disc with cloth or use another disc.

FOR ADDITIONAL SET-UP OR OPERATING ASSISTANCE

PLEASE CALL:

1-800-898-9020 OR

1-800-695-0098 OR

E-MAIL TO: [internet@emersonradio.com](mailto:internet@emersonradio.com)

**LIMITED WARRANTY**

Emerson Radio Corp. warrants manufacturing defects in original material, including original parts and workmanship, under normal use and conditions, for a period of ninety (90) days from the date of original purchase in the U.S. With your dated proof of purchase, we will provide repair service at no charge for labor and parts or replace the product at our discretion. For repair or replacement, pack your unit in a padded box, enclose your check or money order payable to Emerson Radio Corp. in the amount of \$9.00 to cover shipping and handling costs, and enclose a copy of your proof of purchase. Send your unit to:

Emerson Returns Facility  
11500 Philadelphia St  
Mira Loma, CA 91752  
ATTN: Returns Department

This warranty does not cover damage from negligence, misuse, abuse, accident, failure to follow operating instructions, commercial use, rental, repairs by an unauthorized facility, or products purchased, used, serviced or damaged outside of the United States.

**THIS WARRANTY GIVES YOU SPECIFIC LEGAL RIGHTS, AND YOU MAY ALSO HAVE OTHER RIGHTS WHICH VARY FROM STATE TO STATE.**

**AU898N**

The Serial Number can be found on the bottom of the unit. We Suggest that you record the Serial Number of your unit in the space below for future reference.

Model No: **CKD9918**

Serial Number: \_\_\_\_\_

